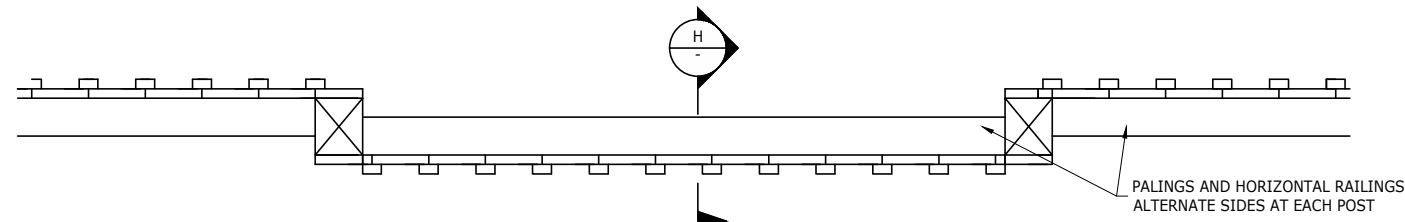


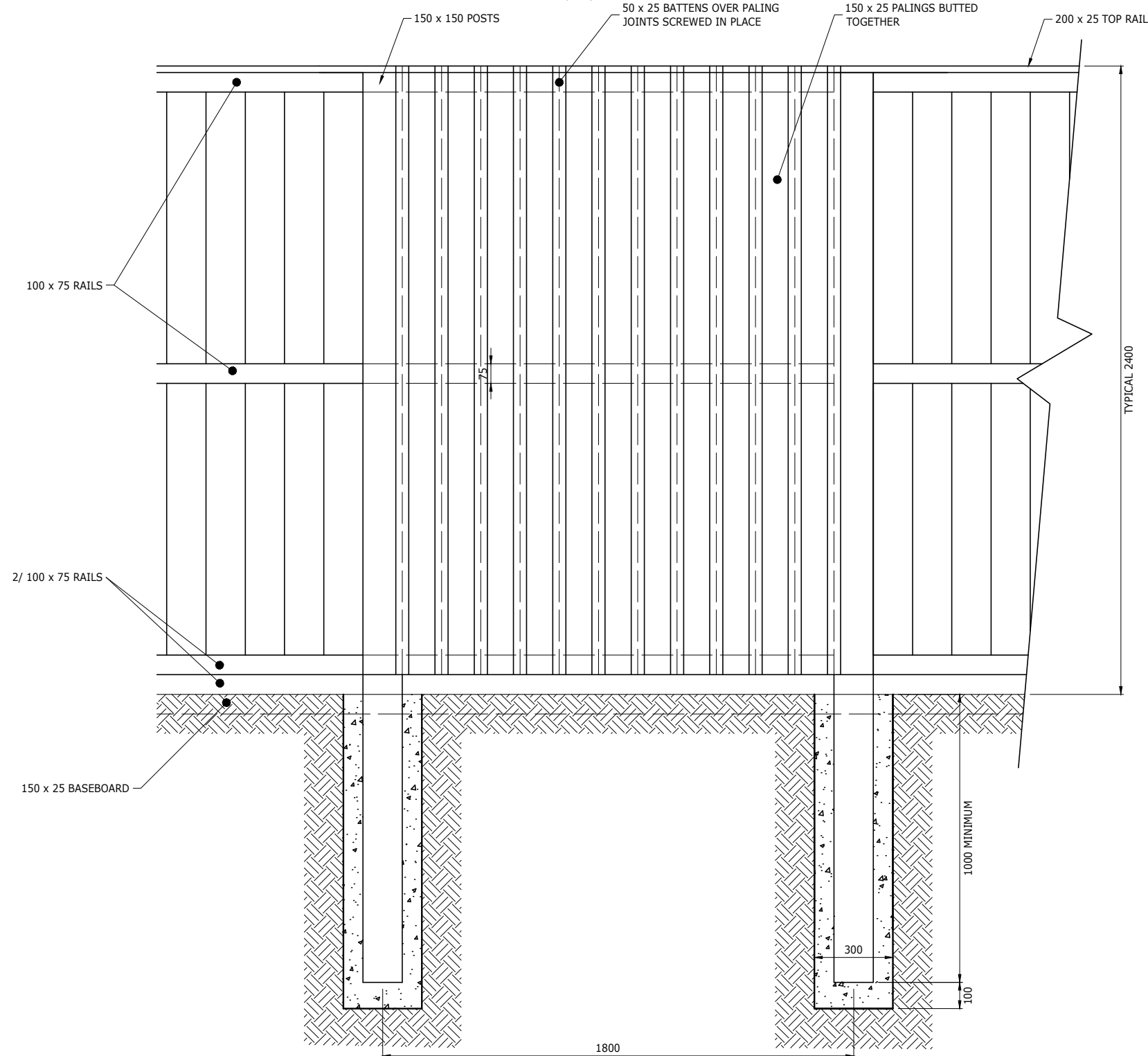
NOTES:

- TIMBER TREATMENT:
 POSTS H5
 ALL FENCE MEMBERS H4
 TOP RAIL H3.2
- ALL TIMBER IS RADIATA PINE.
- ALL POSTS ARE EMBEDDED IN 20 MPa CONCRETE, 300 DIA, WITH A MINIMUM 100mm CONCRETE IN BASE OF HOLES.
- BATTENS TO BE FIXED TO PALINGS WITH SCREWS. TOP RAIL IS FIXED WITH SCREWS. ALL OTHER FIXINGS STANDARD FENCE FIXINGS.
- ALL FITTINGS ARE GALVANISED.
- ALL TIMBER IS ROUGH SAWN.



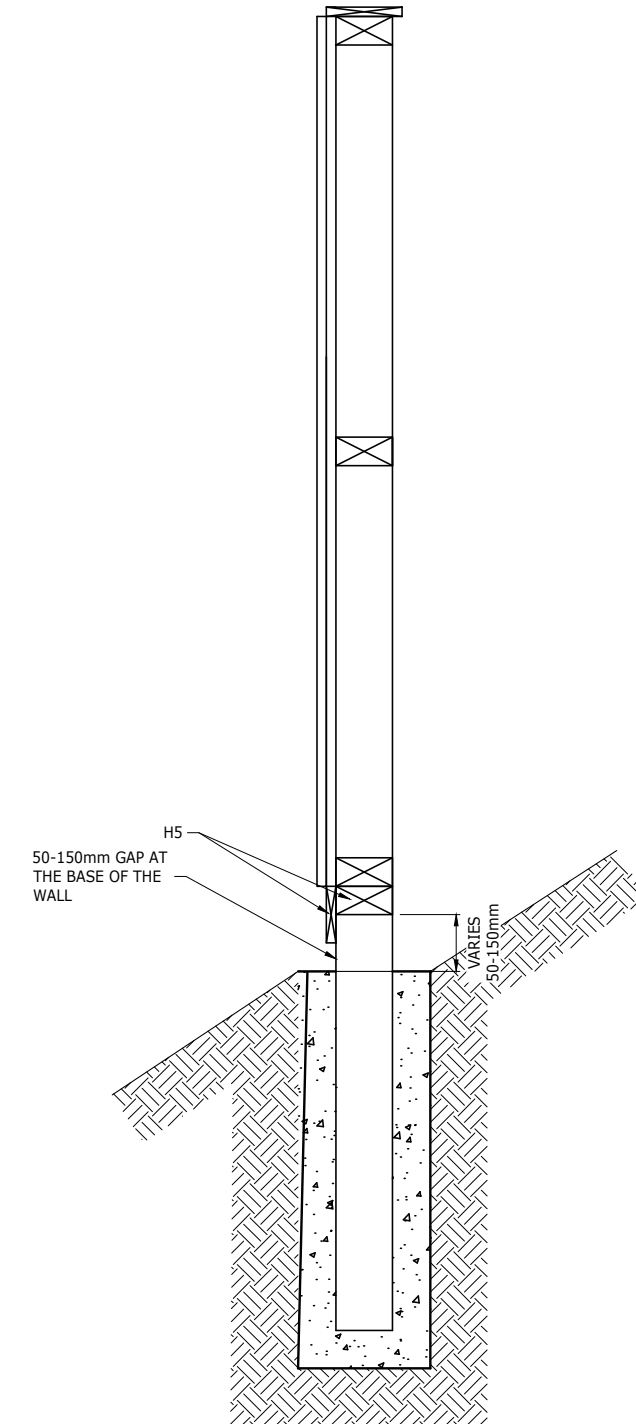
NOISE WALL TYPICAL PLAN VIEW

SCALE 1:10 - A1
1:20 - A3



NOISE WALL TYPICAL ELEVATION

SCALE 1:10 - A1
1:20 - A3



NOISE WALL TYPICAL CROSS SECTION PANELLING SECTION

SCALE 1:10 - A1
1:20 - A3

ORIGINATOR: TCH DATE: 22.12.17 DRAWN: TRS DATE: 22.12.17 CHECKED: GPR DATE: 18.01.18 APPROVED: TCH DATE: 22.12.17 BY: GPR DATE: 18.01.18		PLOT BY: TRS PLOT DATE: 18.01.18 SURVEY BY: TRS SURVEY DATE: 18.01.18		ASSOCIATION OF CONSULTING ENGINEERS NEW ZEALAND ISO 9001 QUALITY ASSURED TAURANGA OFFICE LEVEL 1 HARRISON GRIERSON HOUSE 60 SPRING STREET TAURANGA 3110 T +64 7 578 0023 W www.harrisongrierson.com		PROJECT: THE LAKES (2012) LIMITED, TAURANGA TITLE: STAGE 3I NOISEWALL AS BUILT DETAILS TCC IP 101782		ISSUE STATUS: FINAL AS BUILT PROJECT No: 1520-139618-01 DRAWING No: 139618-AB501 SCALES: AS SHOWN REV: A1 REV: B	
---------------------------------------------------------------------------------------------------------------------------------------------------------------------	--	--------------------------------------------------------------------------------	--	-----------------------------------------------------------------------------------------------------------------------------------------------------------------------------------------------------------------------	--	---------------------------------------------------------------------------------------------------------	--	---------------------------------------------------------------------------------------------------------------------------------	--