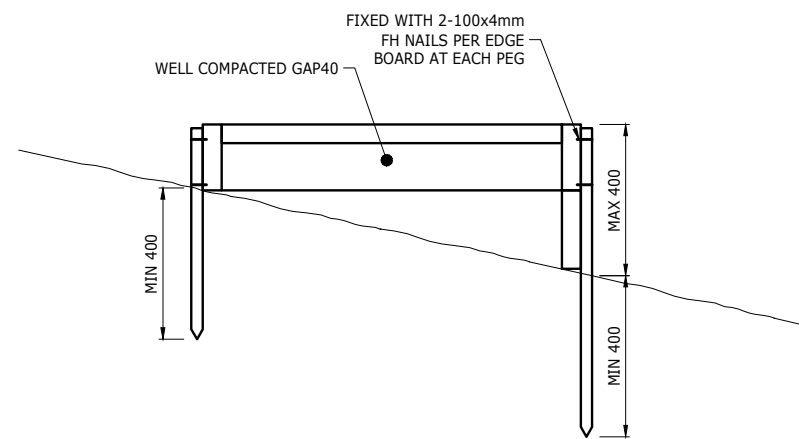


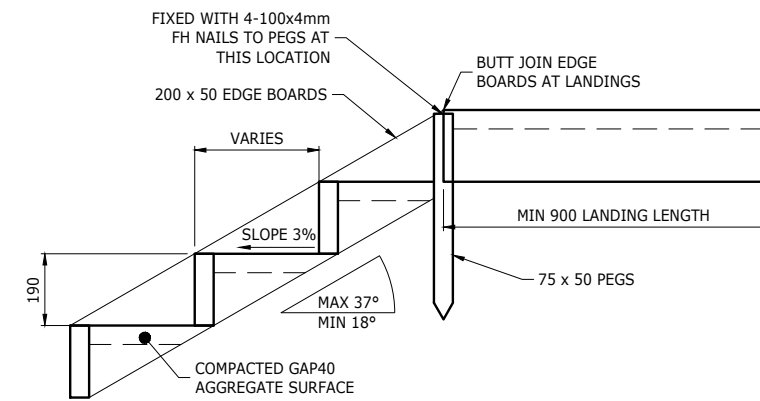
NOTES:

1. ALL WORKS CARRIED OUT TO TCC IDC 2011 STANDARDS AND ALL SUBSEQUENT AMENDMENTS.
2. DRAINAGE CONTROL PROVIDED AT 5m SPACING.
3. ALL TIMBER H5 TREATED PINUS RADIATA.



TYPICAL SECTION ON BOXED STEPS

SCALE: 1:10 - A1, 1:20 - A3



TYPICAL ELEVATION ON BOXED STEPS

SCALE: 1:10 - A1, 1:20 - A3

		ORIGINATOR: TCH	DATE: 18.01.18	SIGNED:	PLOT BY: TRS	ASSOCIATION OF CONSULTING ENGINEERS NEW ZEALAND	ISO 9001 QUALITY ASSURED	TAURANGA OFFICE LEVEL 1, 60 SPRING STREET TAURANGA 3110 T +64 7 578 0023 W www.harrisoongrierson.com	PROJECT:	THE LAKES (2012) LIMITED	TITLE:	STAGE 3I WALKING TRACK STAIRS AS BUILT DETAILS TCC IP 101782		ISSUE STATUS:	FINAL AS BUILT	
DATE:	18.01.18	SIGNED:	DATE:	18.01.18	PLOT DATE:				18.01.18		PROJECT No:	1520-139618-01	SCALES:	1:100 - A1 1:200 - A3	REV	A1
DATE:	18.01.18	SIGNED:	DATE:	18.01.18	SURVEY BY:	-	THIS DRAWING AND DESIGN REMAINS THE PROPERTY OF, AND MAY NOT BE REPRODUCED OR ALTERED, WITHOUT THE WRITTEN PERMISSION OF HARRISON GRIERSON CONSULTANTS LIMITED. NO LIABILITY SHALL BE ACCEPTED FOR UNAUTHORISED USE OF THIS DRAWING.				DRAWING No:	139618-AB421		REV	A	
DATE:	18.01.18	SIGNED:	DATE:	18.01.18	SURVEY DATE:	-										