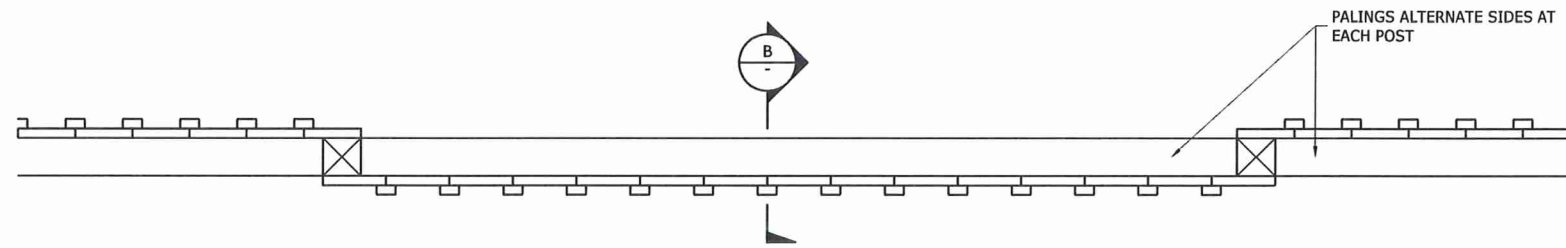


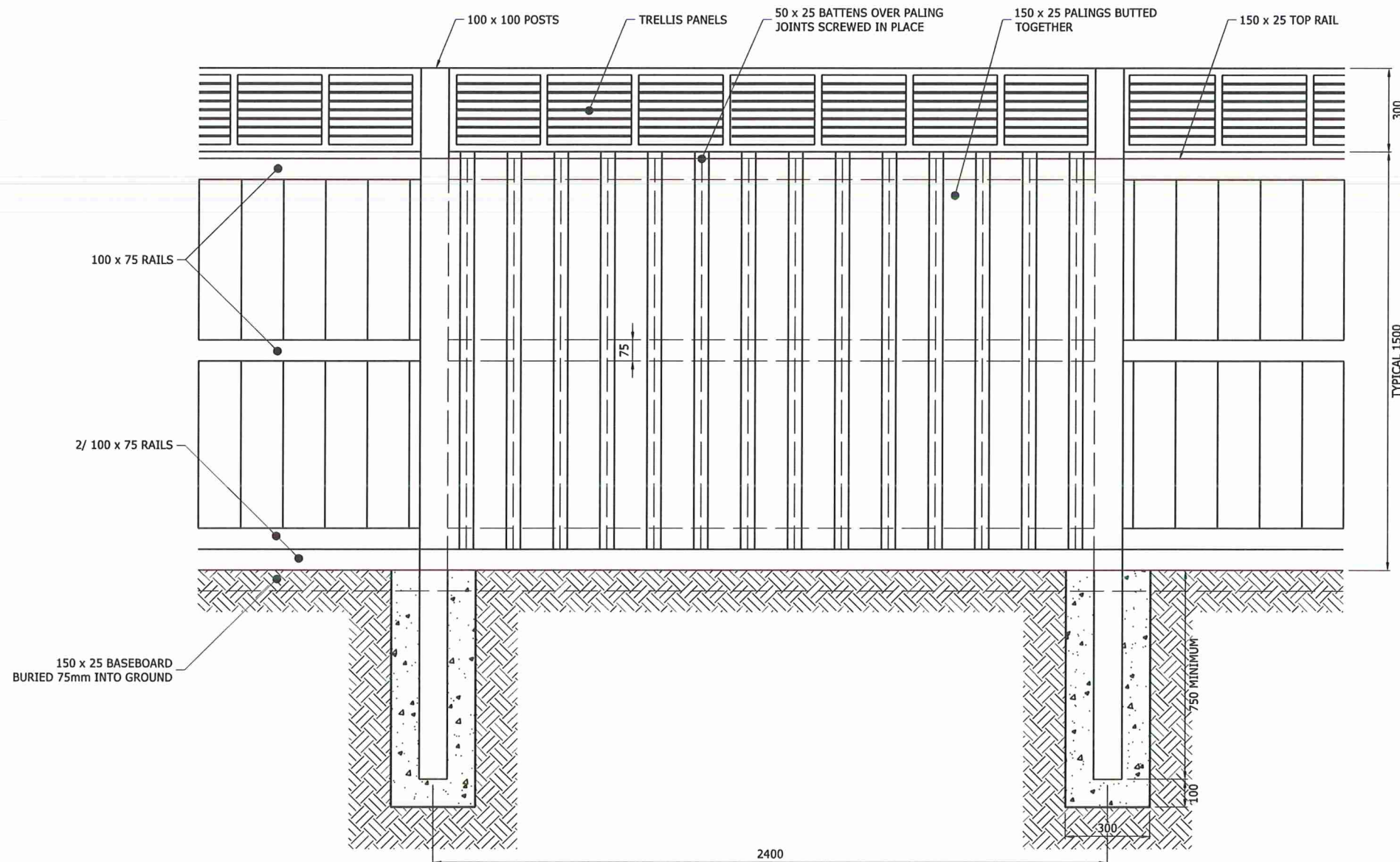
NOTES:

1. ALL WORKS WERE CARRIED OUT TO TCC IDC 2011 STANDARDS.
2. TIMBER TREATMENT:
 POSTS H5
 ALL FENCE MEMBERS H4
 TRELLIS AND TOP RAIL H3.2
3. ALL TIMBER RADIATA PINE.
4. ALL SITE CUTS TREATED WITH METALEX, OR SIMILAR.
5. ALL POSTS HAVE MINIMUM EMBEDMENT DEPTH OF 750mm.
6. ALL POSTS EMBEDDED IN 20 MPA CONCRETE, 300 DIA, WITH A MINIMUM 100mm CONCRETE IN BASE OF HOLES.
7. BATTENS FIXED TO PAILINGS WITH SCREWS. ALL OTHER FIXINGS STANDARD FENCE FIXINGS.
8. ALL FITTINGS GALVANISED.
9. ALL TIMBER (EXCEPT TRELLIS PANELS) ROUGH SAWN.



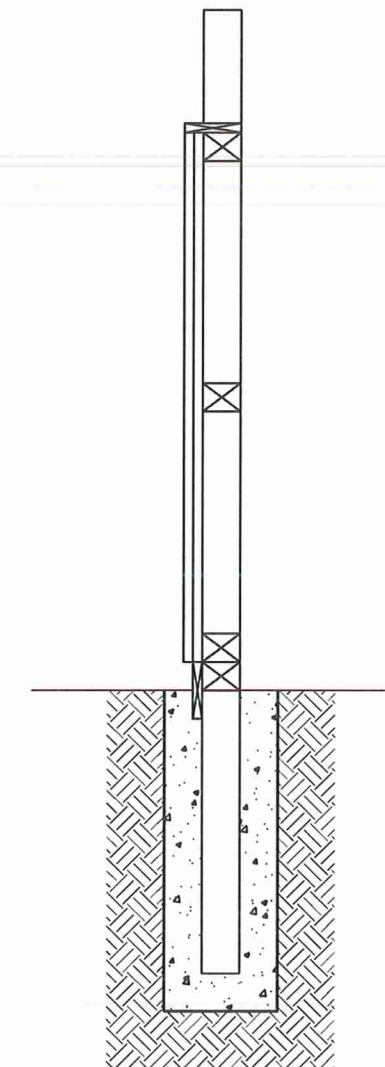
NOISE WALL TYPICAL PLAN VIEW

SCALE 1:10 - A1
1:20 - A3



NOISE WALL TYPICAL ELEVATION

SCALE 1:10 - A1
1:20 - A3



NOISE WALL TYPICAL CROSS SECTION PANELLING SECTION

SCALE 1:10 - A1
1:20 - A3


HARRISON GRIERSON
 TAURANGA OFFICE
 LEVEL 1 HARRISON GRIERSON HOUSE
 141 CAMERON ROAD TAURANGA 3110
 T +64 7 578 0023
 W www.harrisongrierson.com

B	AS BUILT FINAL	MPD	13.05.14
A	AS BUILT	MPD	02.05.14
REF	REVISIONS	BY	DATE

PROJECT: **Central**
THE LAKES (2012) LTD, TAURANGA

TITLE:
**STAGE 2S NOISE WALL
AS BUILT DETAILS
TCC IP 21332**

ORIGINATOR:	DATE:	SIGNED:	PLOT BY:
MPD	02.05.14		TSC
DRAWN:	DATE:	SIGNED:	PLOT DATE:
TSC	02.05.14		13.05.14
CHECKED:	DATE:	SIGNED:	SURVEY BY:
GPR	02.05.14		
APPROVED:	DATE:	SIGNED:	SURVEY DATE:
DGN	02.05.14		

ISSUE STATUS: **AS BUILT**

PROJECT No:	SCALES:	A1
1510-133562-02	AS SHOWN	
DRAWING No:	REV	B
133562-2-AB410		