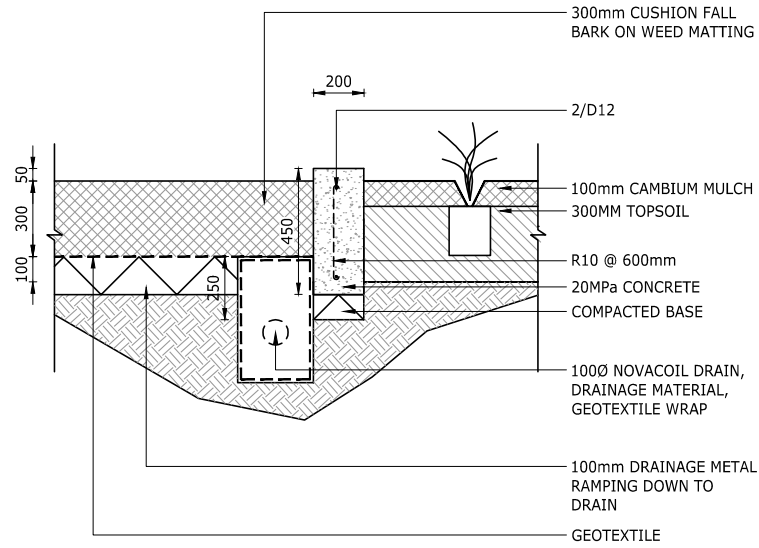


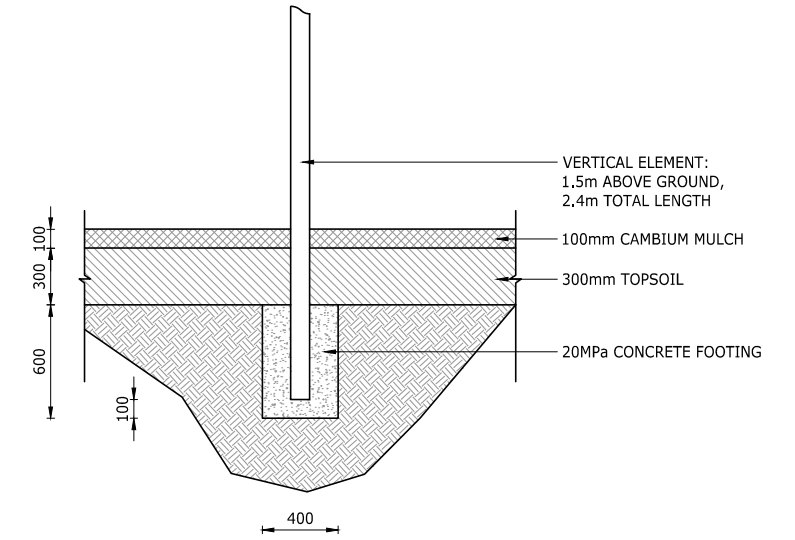
DETAIL PLAYGROUND EDGE TREATMENT - PATH

SCALE 1:15 - A1
1:30 - A3



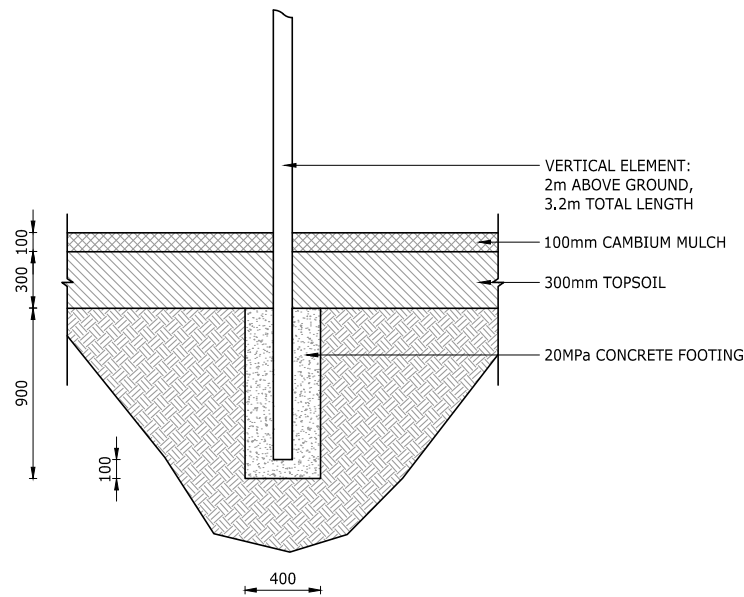
DETAIL PLAYGROUND EDGE TREATMENT - GARDEN

SCALE 1:15 - A1
1:30 - A3



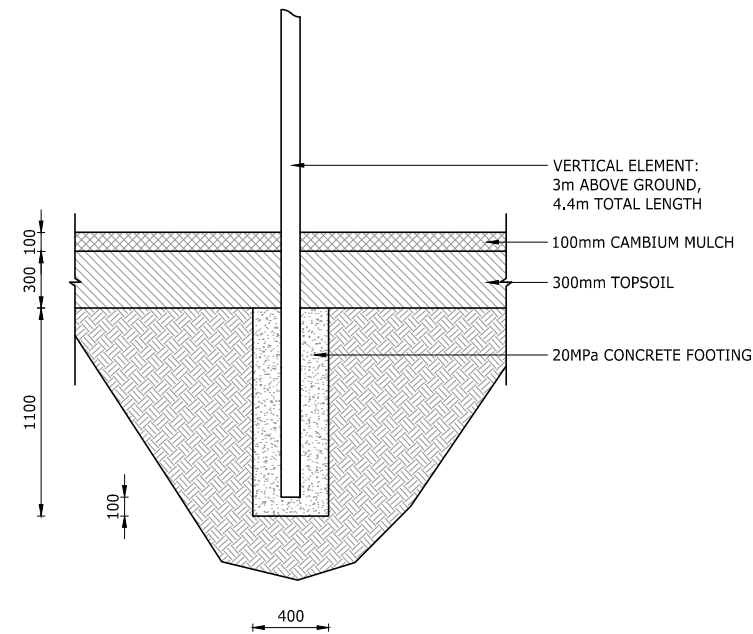
DETAIL FOOTING - F07: 1.5M HIGH VERTICAL ELEMENT

SCALE 1:20 - A1
1:40 - A3



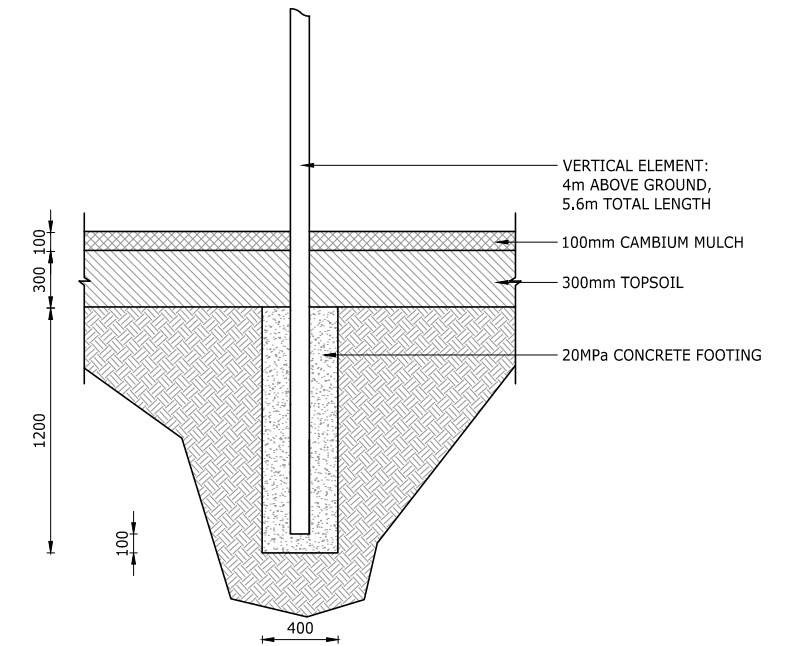
DETAIL FOOTING - F06: 2M HIGH VERTICAL ELEMENT

SCALE 1:20 - A1
1:40 - A3



DETAIL FOOTING - F05: 3M HIGH VERTICAL ELEMENT

SCALE 1:20 - A1
1:40 - A3



DETAIL FOOTING - F04: 4M HIGH VERTICAL ELEMENT

SCALE 1:20 - A1
1:40 - A3

ORIGINATOR:	DATE:	SIGNED:	PLOT BY:
RXD	18.05.16	HEH	HEH
DRAWN:	DATE:	SIGNED:	PLOT DATE:
HEH	18.05.16		31.05.16
CHECKED:	DATE:	SIGNED:	SURVEY BY:
GPR	30.05.16		
APPROVED:	DATE:	SIGNED:	SURVEY DATE:
GPR	18.05.16		
BY	DATE	GPR	30.05.16

ASSOCIATION OF CONSULTING ENGINEERS NEW ZEALAND
ISO 9001 QUALITY ASSURED
THIS DRAWING AND DESIGN REMAINS THE PROPERTY OF, AND MAY NOT BE REPRODUCED OR ALTERED, WITHOUT THE WRITTEN PERMISSION OF HARRISON GRIERSON CONSULTANTS LIMITED. NO LIABILITY SHALL BE ACCEPTED FOR UNAUTHORISED USE OF THIS DRAWING.

HG
TAURANGA OFFICE
LEVEL 1 HARRISON GRIERSON HOUSE
141 CAMERON ROAD TAURANGA 3110
T +64 7 578 0023
W www.harrisongrierson.com

PROJECT:
Summit
THE LAKES (2012) LIMITED, TAURANGA

TITLE:
STAGES 3CD
LOT 940 RESERVE STRUCTURES
AS BUILT PLAN SHEET 1
TCC IP 101665

ISSUE STATUS:		AS BUILT
PROJECT No:	SCALES:	A1
1520-137966-01	AS SHOWN	
DRAWING No:		REV
137966-AB451		B