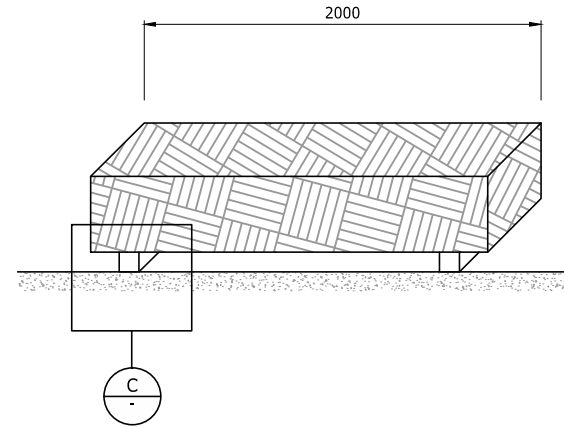


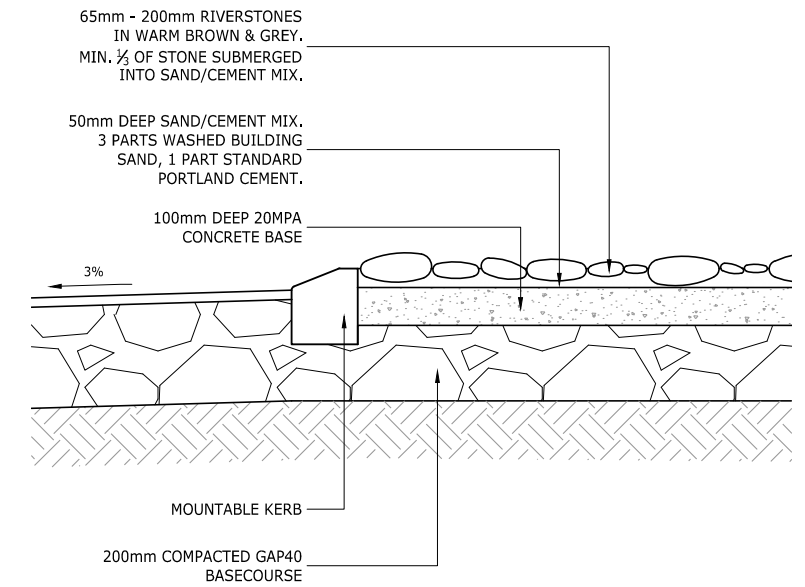
DETAIL THE LAKES HERON

SCALE 1:10 - A1
1:20 - A3



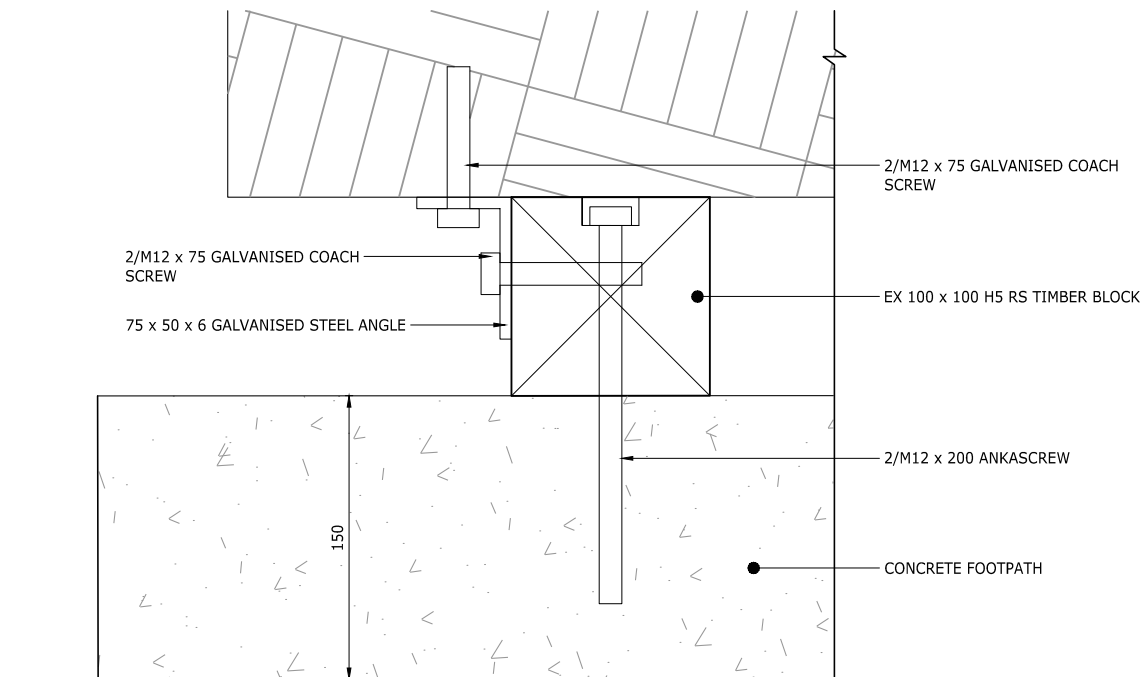
DETAIL MACROCARPA BEAM SEAT

SCALE 1:20- A1
1:40 - A3



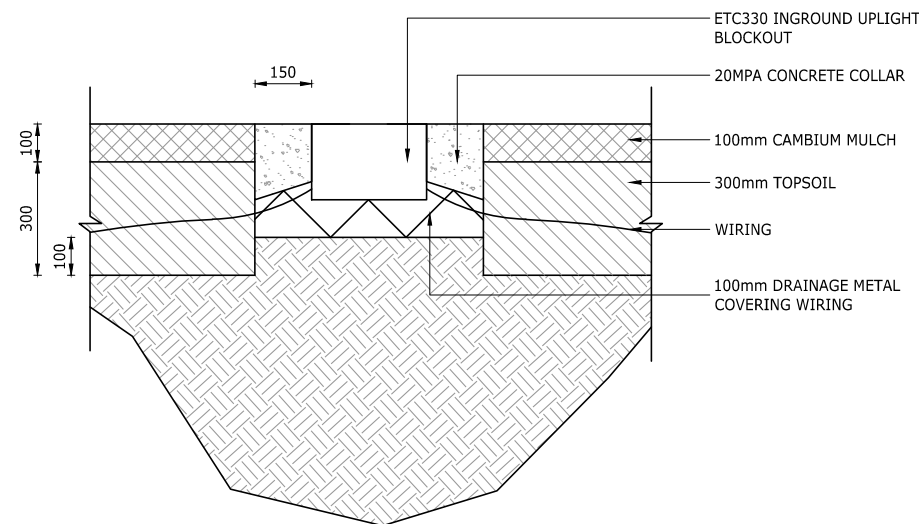
DETAIL ROUNABOUT ISLAND RIVERSTONES

SCALE 1:10- A1
1:20 - A3



DETAIL MACROCARPA BEAM SEAT FOOTING

SCALE 1:2 - A1
1:4 - A3



DETAIL ROUNABOUT LIGHT

SCALE 1:10 - A1
1:20 - A3

ORIGINATOR: RXD DATE: 18.05.16 DRAWN: HEH DATE: 18.05.16		DATE: 18.05.16 SIGNED: [Signature]		PLOT BY: HEH PLOT DATE: 31.05.16		ASSOCIATION OF CONSULTING ENGINEERS NEW ZEALAND		ISO 9001 QUALITY ASSURED		PROJECT: Summit THE LAKES (2012) LIMITED, TAURANGA		TITLE: STAGES 3CD LOT 940 RESERVE STRUCTURES AS BUILT SHEET 2 TCC IP 101665		ISSUE STATUS: AS BUILT	
CHECKED: GPR DATE: 30.05.16		DATE: 30.05.16 SIGNED: [Signature]		SURVEY BY: [Signature]		THIS DRAWING AND DESIGN REMAINS THE PROPERTY OF, AND MAY NOT BE REPRODUCED OR ALTERED, WITHOUT THE WRITTEN PERMISSION OF HARRISON GRIERSON CONSULTANTS LIMITED. NO LIABILITY SHALL BE ACCEPTED FOR UNAUTHORISED USE OF THIS DRAWING.		TAURANGA OFFICE LEVEL 1 HARRISON GRIERSON HOUSE 141 CAMERON ROAD TAURANGA 3110 T +64 7 578 0023 W www.harrisongrierson.com		DRAWING No: 137966-AB452		SCALES: AS SHOWN		A1	
APPROVED: GPR DATE: 30.05.16		DATE: 30.05.16 SIGNED: [Signature]		SURVEY DATE: [Signature]										REV B	
REF REVISIONS		BY DATE		GPR											